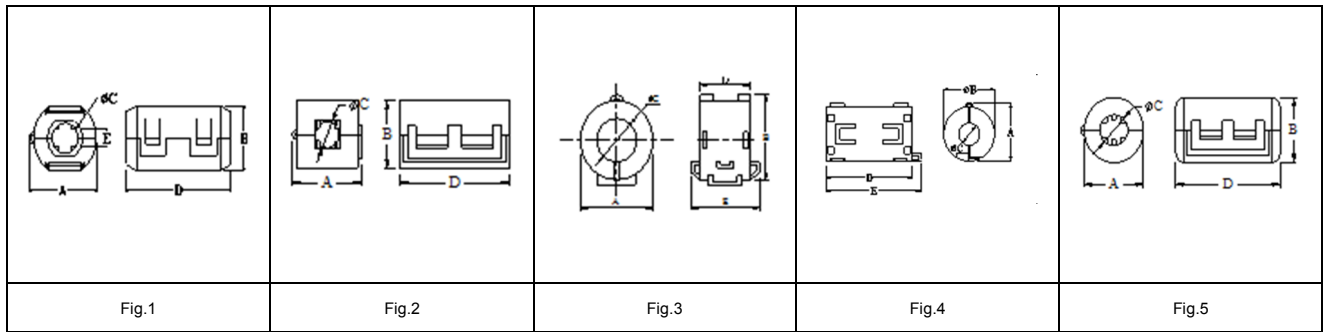


Noise Dataline Filter CJDNF series

■ SPECIFICATIONS



- ◆ Noise Dataline Filter is a hinged-clamp high performance for EMI.
- ◆ Internal dimensions from 1.9mm to 35mm radius.
- ◆ Precision formed smooth surfaces prevent damage to wire insulation.



No	Part No.	Impedance (Ω)		Dimensions (mm)					Fig
		25MHz	100MHz	A	B	C	D	E	
1	CJDNF 0526	50	100	13.0±1	11.8±1	5.0±0.5	25.5±1	2.5±1	1
2	CJDNF 0935	70	130	19.5±1	18.0±1	9.0±0.5	35.0±1	5.5±1	1
3	CJDNF 1336	50	110	23.5±1	22.5±1	13.0±0.5	36.0±1	8.5±1	1
4	CJDNF 0730	60	120	17.0±1	15.0±1	7.0±0.5	30.0±1	2.5±1	1
5	CJDNF 0523	65	120	15.0±1	14.0±1	5.2±0.5	23.0±1		2
6	CJDNF 65	120	200	20.5±1	20.0±1	6.5±0.5	33.0±1		2
7	CJDNF 100	80	130	25.5±1	23.5±1	10.0±0.5	33.0±1		2
8	CJDNF 130	105	170	32.5±1	30.0±1	13.0±0.5	33.0±1		2
9	CJDNF 0817	35	80	19.5±1	23.0±1	8.1±0.5	17.0±1	23.0±1	3
10	CJDNF 0820	50	110	19.5±1	23.0±1	8.1±0.5	20.0±1	26.0±1	3
11	CJDNF 1014	20	65	24.5±1	28.5±1	10.2±0.5	13.5±1	20.0±1	3
12	CJDNF 120	35	80	28.0±1	32.0±1	11.5±0.5	18.0±1	24.0±1	3
13	CJDNF 150	25	65	29.0±1	33.0±1	15.0±0.5	15.5±1	21.5±1	3
14	CJDNF 0718	30	70	15.5±1	14.0±1	7.0±0.5	18.0±1	22.0±1	4
15	CJDNF 80	70	130	20.5±1	19.5±1	9.0±0.5	31.5±1	35.5±1	4
16	CJDNF 1132	50	100	20.5±1	21.0±1	11.0±0.5	32.0±1	36.0±1	4
17	CJDNF 1334	80	130	31.5±1	30.5±1	13.0±0.5	34.0±1	39.5±1	4
18	CJDNF 35	40	95	15.0±1	15.0±1	4.0±0.5	25.2±1		5
19	CJDNF 50	45	100	16.5±1	16.5±1	5.2±0.5	29.5±1		5
20	CJDNF 75	70	150	21.0±1	21.0±1	7.5±0.5	39.0±1		5
21	CJDNF 90	90	165	20.9±1	20.9±1	9.3±0.5	41.8±1		5

General color is black and white.

All the data listed in this catalogue are for reference only.